



Aqua Arabia

Presentation Design Template

www.aqua-arabia.com

About Aqua Arabia

- Aqua Arabia was created with the goal of providing high quality service worldwide.
- A unique combination of knowledge and experience in water and waste water treatment while leading in high quality products, technical expertise and specialized service.

Vision

- To be the market leader of water and waste water in the Middle East and Africa.

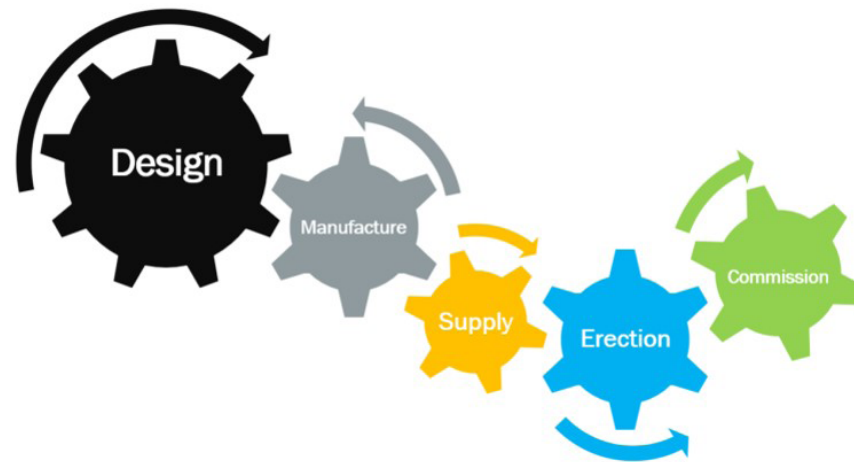
Our Mission

- To provide our customers with the best end to end innovative water and waste water solutions that benefits both the customer and the environment.



What We Do

- Aqua Arabia studies, design, provide consultancy, proposes and builds water treatment solutions for process industry, drinking water, waste water and reuse.
- Aqua Arabia's activity ranges from feasibility test and studies FEL projects to "Turnkey" projects while offer a wide range of technologies with conventional or advanced process.



Our Clients

- Aqua Arabia's clients are both public (administration and public sector enterprises) and private sectors.
- Aqua Arabia's activity adapts to cover the features of each project and the needs of each client.
- At Aqua Arabia we have a will to serve with maximum professional rigor and to the highest standards.



Important Clients

- Ministry of Environment Water & Agriculture
- National Water Company
- Saline Water conversion corporation
- National Guard
- King Fahad Security College
- Military Industries Corporation
- King Faisal hospital and research center
- Saudi Royal Air Defense
- Hilton Hotel
- Ministry of Interior, KSA



وزارة البيئة والمياه والزراعة
Ministry of Environment Water & Agriculture
المملكة العربية السعودية Kingdom of Saudi Arabia



شركة المياه الوطنية
National Water Company



المؤسسة العامة لتحلية المياه المالحة
Saline Water Conversion Corporation



كلية الملك فهد الأمنية
KING FAHAD SECURITY COLLEGE

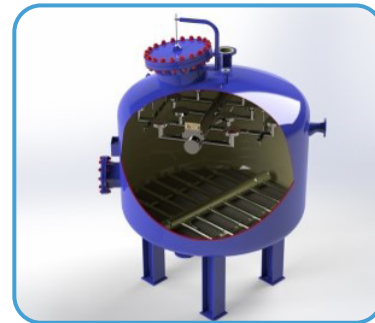
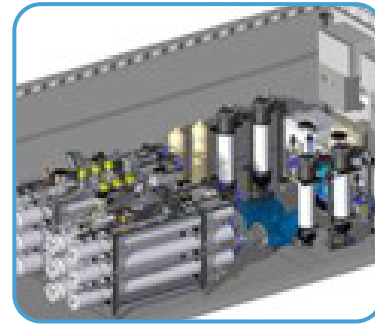


مستشفى الملك فيصل التخصصي ومركز الأبحاث
King Faisal Specialist Hospital & Research Center



System & Solutions

- Brackish & Tap Water Reverse Osmoses System
- Municipal Waste Water Treatment by new technology (MBR, MBBR, SBR, IFAS) & classic treatment extended aeration etc. with full automation by PLC, HMI and Scada system.
- Containerized compact Units
- Sea Water Reverse Osmoses System
- Ultrafiltration Systems
- Water Softeners
- Multi Media Filters
- Chemical Dosing Systems
- Operation and maintenance services of RO and waste water treatment plants.



We Provide

- **Life Cycle**

Aqua Arabia provides you with suitable, cost effective and sustainable solutions that conserve water and lower operating costs.

- **Customized & Innovative**

Our experienced engineers will custom design each water treatment system to meet your specific application requirements.

- **Project Execution**

Aqua Arabia's experienced project management team ensure on-time completion of your water treatment system.

- **Installation Supervision**

Aqua Arabia will always be on your site to supervise all the installation and startup of your construction facility.

- **Commissioning & Training**

Aqua Arabia will do fully successful testing and commissioning of your system and projects while provide a necessary training to the crew to smoothly run afterward.

- **Operation and Maintenance (O & M) Service**

Aqua Arabia's team handles all kind of O&M of water and waste water treatment projects.

- **Quality Control**

Aqua Arabia's quality control experts ensure you get a high quality products and systems that meet the strict specifications of each and every project.

Project accomplished

- Implementation of a Membrane Treatment Plant for Sewage Water Treatment Plant in Al-Birk

Client: **Ministry of Environment, Water and Agriculture** | Year: **2018** | Capacity: **400 m3/hr** |



Project accomplished

- Implementation of a treatment plant capacity of (500 m³ / day) in the housing development scheme in Al-Baida Center

Client: **Ministry of Environment, Water and Agriculture** | Year: **2019** | Capacity: **500 m³/hr** |



Project accomplished

- Rehabilitation and upgrading of the sewage treatment plant at King Fahad Security College, Riyadh

Client: **Ministry of Interior** | Year: **2019** | Capacity: **1000 M3/day** |



Project accomplished

- Water turbidity treatment in the housing of King Faisal Specialist Hospital and Research Center Jeddah.

Client: **King Faisal Hospital & Research Centre Jeddah** | Year: **2018** | Capacity: **2x500 M3/day** |



Project accomplished

- Implementation of water pipelines project at the Military Industries Corporation in Al-Kharj

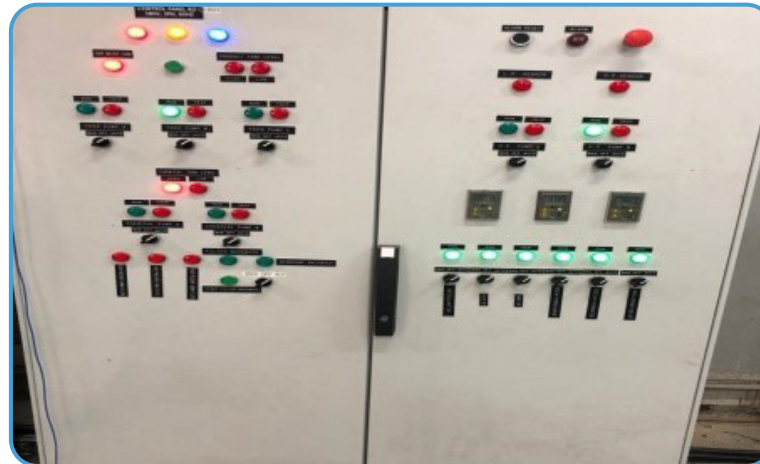
Client: **Military Industries Corporation- Ministry of Defense** | Year: **2021** | Capacity: **2 Km Pipeline** |



Project accomplished

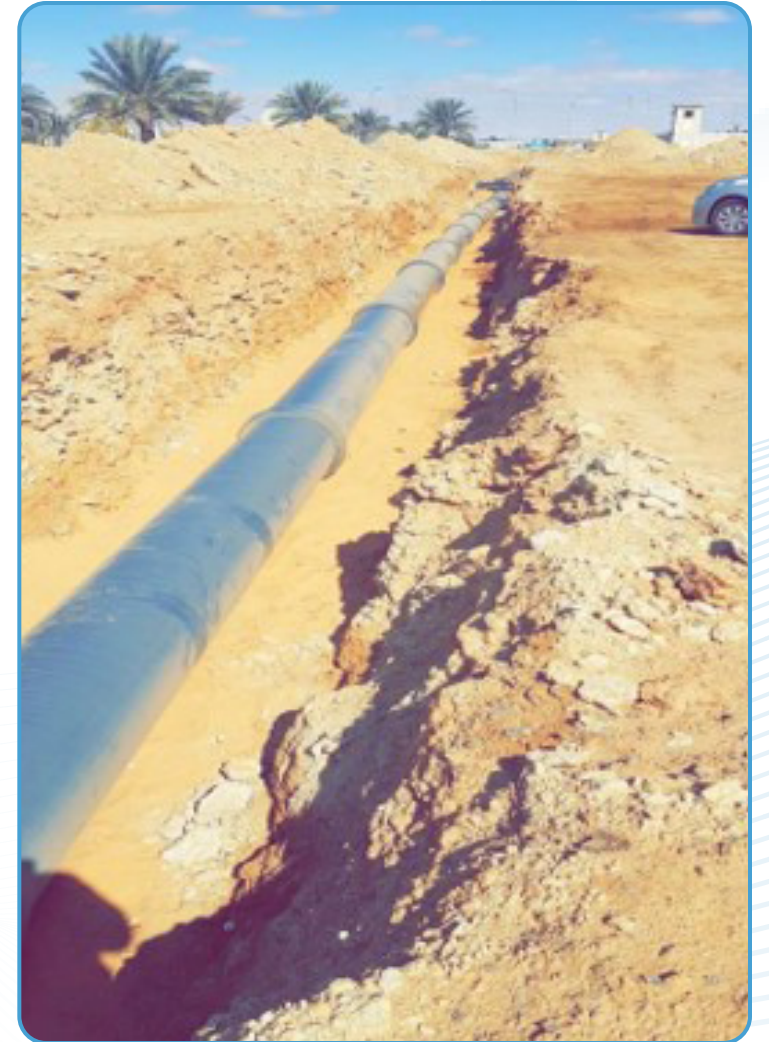
- Rehabilitation of desalination plants and water supply networks in Dhahran.

Client: **Ministry of Defense-Saudi Royal Air Defense-Dhahran** | Year: **2021** | Capacity: **3x 600 M3/day** |



Project accomplished

- Excavation work, supply of materials and installation to replace the main sewage pipe line in King Abdul Aziz Military City, TABUK
Client: **Saudi Arabian Army, Ministry of Defense** | Year: **2019** | Capacity: **2 km Pipe line** |



Project accomplished

- To carry out excavation works, supply materials and installation to replace the main water line from the water tanks in King Abdul Aziz Military City, TABUK
Client: **Saudi Arabian Army, Ministry of Defense** | Year: **2019** | Capacity: **1.5 km Pipe line** |



Project accomplished

- Securing and installing a water desalination plant at MOI Riyadh.

Client: **Ministry of Interior** | Year: **2017** | Capacity: **500 M3/day** |



Project accomplished

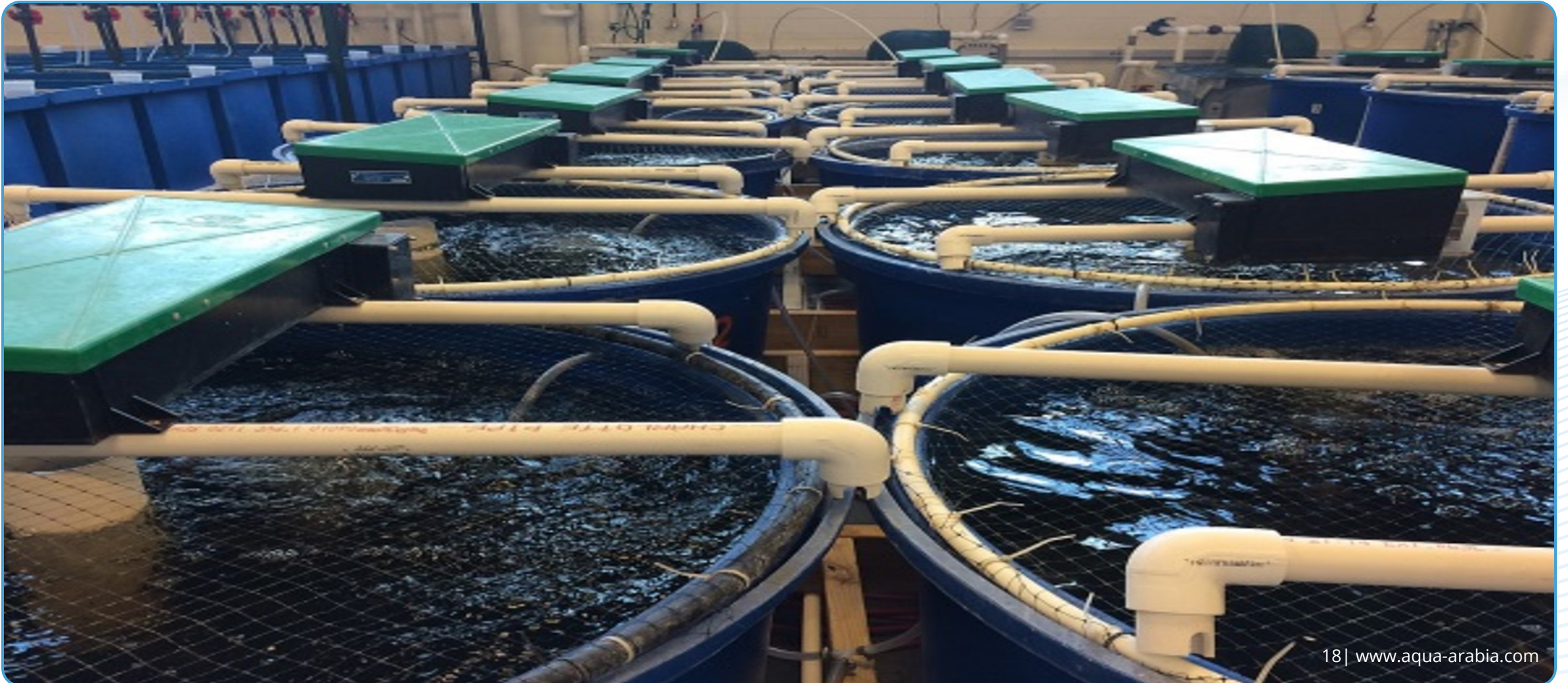
- Operation and Maintenance of Sewage Treatment Plant (STP) at Thuwal Center

Client: **Ministry of Environment, Water & Agriculture** | Year: **2020** | Capacity: **3000 M3/day** |



Project accomplished

- Supply and installation of a closed system for water treatment in a marine fish hatchery at the Fisheries Research Center, Jeddah
Client: **Ministry of Environment, Water & Agriculture** | Year: **2017** | Capacity: **500 M3/day** |



Project accomplished

- Supply and Install for Copper Silver Ionization water treatment system 500m³/day at Hilton Hotel Riyadh

Client: **HILTON Hotel Riyadh** | Year: **2017** | Capacity: **400 M3/day** |



Project accomplished

- Supply and Installation of Parshall Flumes and Penstocks at STP Plant Al-Haer
Client: **Abdul Ali Al-Ajmi Company** | Year: **2021** | Capacity: **2,500** |





Aqua Arabia

Thank you

7323 King Abdulaziz Road, Ar Rabi,
Riyadh 13316-2284, Saudi Arabia

+966-11-4506735

info@aqua-arabia.com

www.aqua-arabia.com